

S.C. RES OMNES S.R.L BRASOV, ROMANIA

2011

5,45 MW
PHOTOVOLTAIC
POWER PLANT



ROMANIA

FELDIOARA

BRASOV COUNTY




Downtown Brasov

S.C. RES OMNES S.R.L

ROMANIA
BRASOV CITY
BRASOV COUNTY

Phone: 0040.268.475.837

Fax: 0040.268.475.886

E-mail: office@dinoram.ro

S.C. RES OMNES S.R.L. BRASOV
ROMANIA

5,45 MW PHOTOVOLTAIC PLANT

Information on project location

Location: Feldioara, Brasov County

North 45 ° 46 '47 “

East 25 ° 36 '01 “

Altitudine: 500 ml

Area: 10,89 ha



S.C. RES OMNES S.R.L. BRASOV
ROMANIA

5,45 MW PHOTOVOLTAIC PLANT

Information on project characteristics

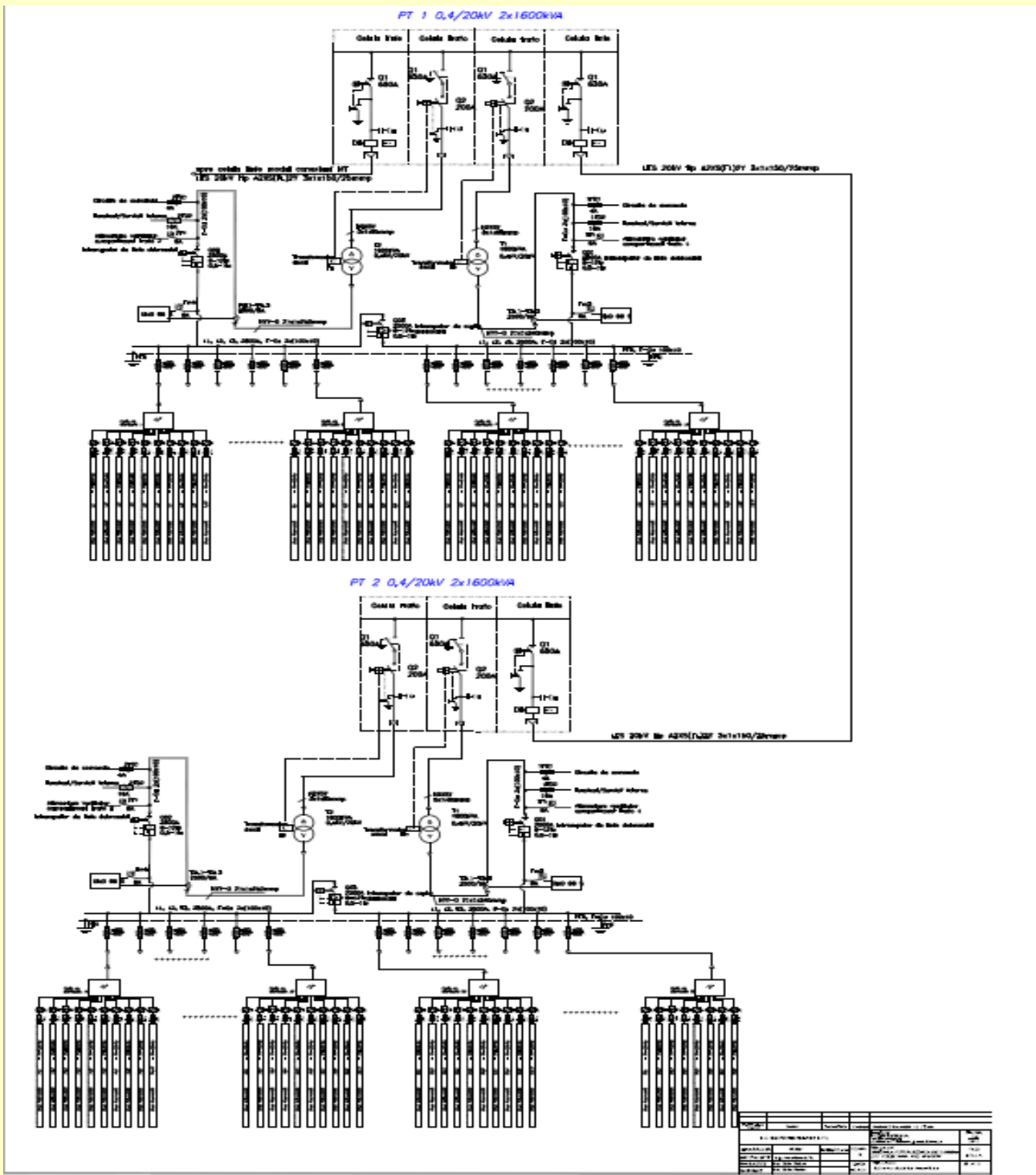


- Location: Feldioara, Brasov County
- Installation size: 5,45 MWp
- Location point acces: directly
- Connection point: 1400 ml, underground line

S.C. RES OMNES S.R.L. BRASOV
ROMANIA

5,45 MW PHOTOVOLTAIC PLANT

SETTLEMENT OF PHOTOVOLTAIC PANELS ON THE GROUND Diagram 2

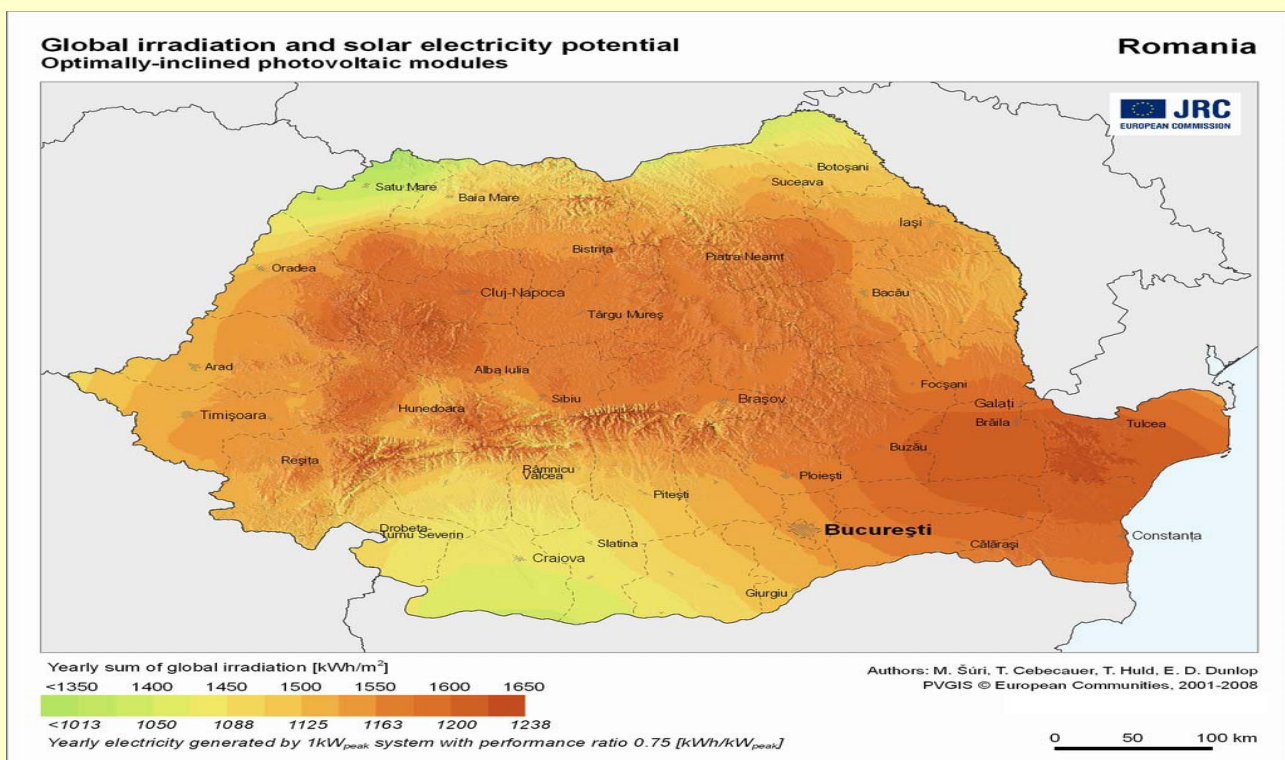


S.C. RES OMNES S.R.L BRASOV
ROMANIA
5,45 MW PHOTOVOLTAIC PLANT

Information about the climate in the Brasov area:

- Annual average air temperature is 7,6 Celsius degrees.
- The average number of summer days is about 50 per year.
- Average number of winter days is about 50 per year.
- Annual average humidity is 75%.
- Rainfall values were 600-700 mm / year.
- Prevailing wind direction at the ground is from west and north-west, having an average speeds between 1,5 and 3,2 m/s.

Information about the location in terms of solar radiation: *Brasov has a value of solar radiation of about 1550-1600 kWh / sq m and a yield about 1250-1300 kWh / kWp*






S.C. RES OMNES S.R.L BRASOV
ROMANIA
5,45 MW PHOTOVOLTAIC PLANT

OFFER FOR SALE

RES OMNES is established as a new SPV, with the sole purpose for the capitalization of the project "5,45 MW photovoltaic plant." Has a share capital of 4.810.230 lei, divided into 481.023 shares. The project has all necessary approvals to start up, as follows:

- *Building permit*
- *Grid permit between the park and LES 20*
- *Building permit for connection line*



S.C. RES OMNES S.R.L. BRASOV
ROMANIA
5,45 MW PHOTOVOLTAIC PLANT

ROMANIAN ENERGY MARKET

- Law 220/2008 regulates the production and sale of the electricity from renewable sources.
- For each MWh produced from solar sources is given six green certificates, for 15 years.
- Profitability of investment is about 12% / year.
- National Power System takes with priority the energy from renewable sources.

S.C. RES OMNES S.R.L. BRASOV
ROMANIA

5,45 MW PHOTOVOLTAIC PLANT

ADDITIONAL OFFER FOR CONSULTING AND MANAGEMENT

After the actual construction of the plant, the following steps are required:

- Signing connection contract with Electrica and connection fee, written in ATR
- Execution of electrical connection of the plant (entrepreneur)
- 3 months before the completion of the investment , license is required for setting up production unit at ANRE
- After the technological testing and commissioning, producer license (valid 25 years) is requested from ANRE
- With the license, the unit of production is included in the list of RES-E producers
- Steps to OPCOM for trading green certificates
- Operating and programming of the system power supplies

If desired our team to continue performing these activities, this collaboration can be based on a consulting and management contract .

